



## Description

The ladder is made of stainless steel. The platform and the steps are in anti-slip aluminum. The ladder is provided with handrail.

It is available in two versions:

- **DBR/A** (from 4 a to 12 steps): without wheels

- **DBR/AA** (from 4 to 12 steps): with 4 wheels with springs

**STEPS:** they are mounted on aluminum die-casted supports with rungs and anti-torsion groove and they are fixed onto the frames.

**WELD FREE AND RIVETING FREE**

## Technical Data

**WEIGHT CAPACITY:** 150 kg (weight related to a person with tools)

**FRAMES:** stainless steel (60x20 mm + 40x20 mm + 30x15 mm)

**PLATFORM:** anti-slip aluminum 450x690 mm

**WHEELS:** wheels ø 100 mm

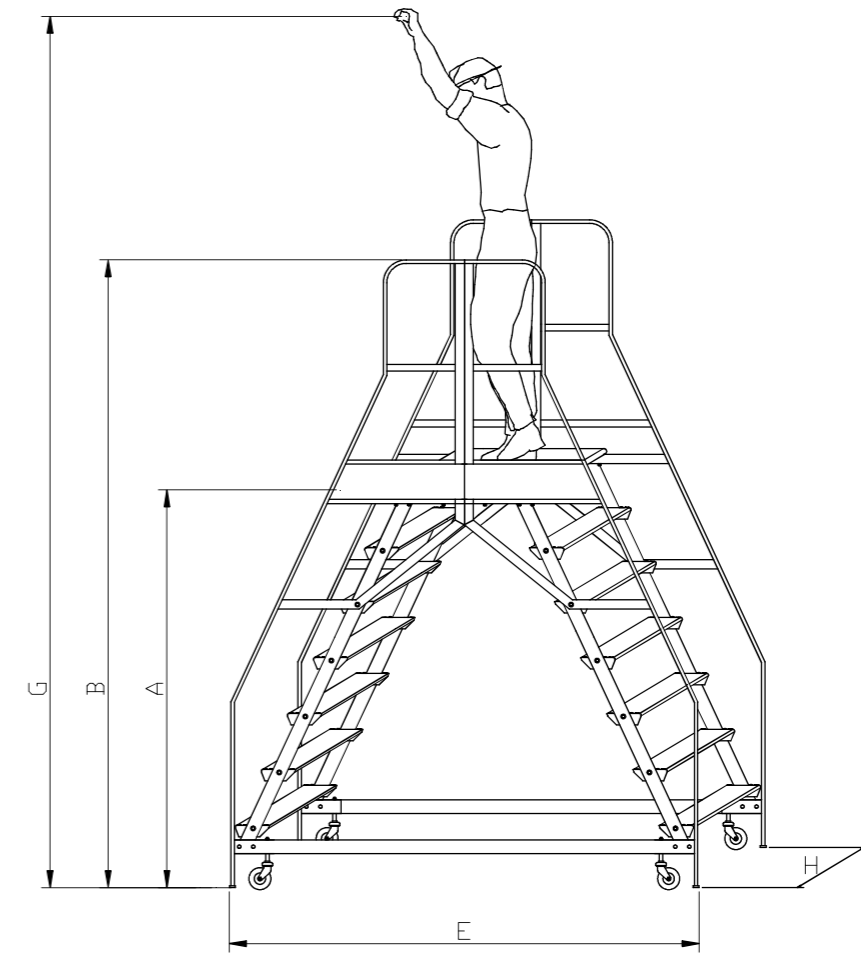
**STEPS:** aluminum 150x23 mm

**TOP WIDTH:** 450 mm

**SAFETY STANDARD:**

D. Lgs. n° 81/2008

A. Anti-torsion support  
B. Platform structure



Code	Steps*	A	B	E	G	H	Weight
S0354A	4+4	1000	2000	1450	2850	600	48 kg
S0355A	5+5	1250	2250	1750	3100	620	55 kg
S0356A	6+6	1500	2500	2050	3350	640	62 kg
S0357A	7+7	1750	2750	2350	3600	660	69 kg
S0358A	8+8	2000	3000	2650	3850	680	75 kg
S0359A	9+9	2250	3250	2950	4100	700	82 kg
S0360A	10+10	2500	3500	3250	4350	720	88 kg
S0361A	11+11	2750	3750	3550	4600	740	95 kg
S0362A	12+12	3000	4000	3850	4850	760	102 kg

\* The platform is included in the number of the steps  
Measures are in mm

To optimize transport the ladder can be supplied disassembled

