



This model can also be supplied with front trolley

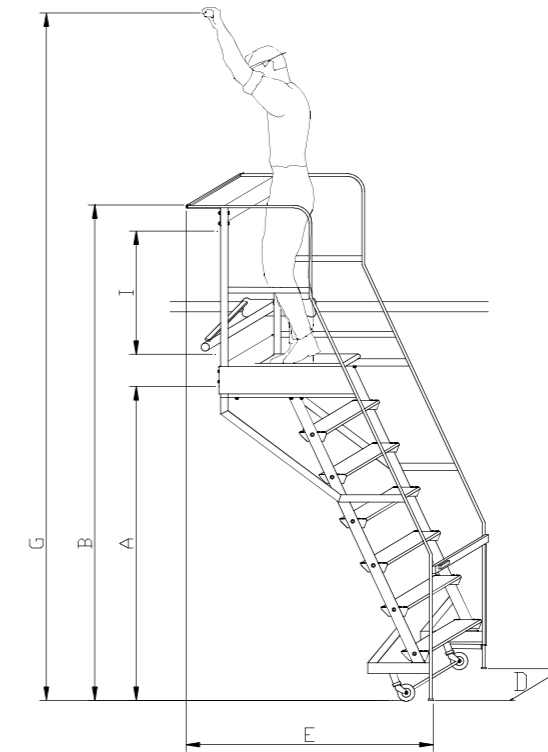
## Description

The ladder runs on a track of aluminum through a trolley with joint. The trolley allows linear movements thanks to 12 ball bearings and it can be blocked by a hand wheel. It is built with stainless steel frame, anti-slip aluminum steps and platform and it is equipped with handrail. It can be applied on any furniture, wall or shelf. For safe use the ladder is provided with a steel front gate manually activated. For a linear sliding of the ladder it is recommended to apply a lower sliding kit to the step section frame.

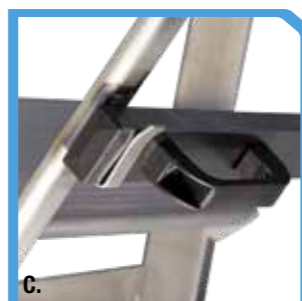
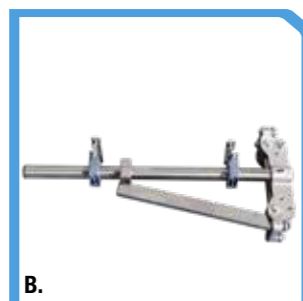
**STEPS:** they are mounted on aluminum die-casted supports with rungs and anti-torsion groove and they are fixed onto the frames.  
**WELD FREE AND RIVETING FREE**

## Technical Data

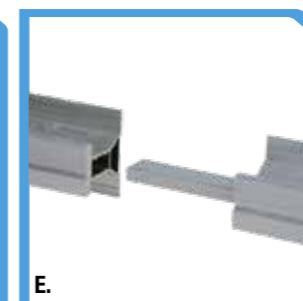
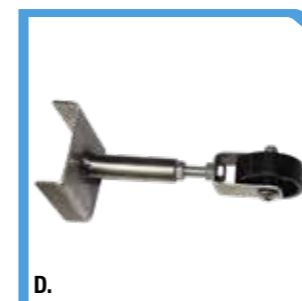
**WEIGHT CAPACITY:** 150 kg (weight related to a person with tools)  
**FRAMES:** stainless steel (60x20 mm + 40x20 mm + 30x15 mm)  
**PLATFORM:** anti-slip aluminum 490x490 mm  
**WHEELS:** ø 100 mm with device  
**STEPS:** aluminum 150x23 mm  
**TOP WIDTH:** 490 mm  
**SAFETY STANDARD:** D. Lgs. n° 81/2008



Code	Steps*	A	B	G	E	D**	I	Weight
S1504A	4	1000	2000	2850	900	700	1100-1780	28kg
S1505A	5	1250	2250	3100	1050	720	1350-2030	31kg
S1506A	6	1500	2500	3350	1200	740	1600-2280	34kg
S1507A	7	1750	2750	3600	1350	760	1850-2530	37kg
S1508A	8	2000	3000	3850	1500	780	2100-2780	40kg
S1509A	9	2250	3250	4100	1650	800	2350-3030	43kg
S1510A	10	2500	3500	4350	1800	820	2600-3280	46kg
S1511A	11	2750	3750	4600	1950	840	2850-3530	49kg
S1512A	12	3000	4000	4850	2100	860	3100-3780	52kg
S1513A	13	3250	4250	5100	2250	880	3350-4030	55kg
S1514A	14	3500	4500	5350	2400	900	3600-4280	58kg
S1515A	15	3750	4750	5600	2550	920	3850-4530	61kg
S1516A	16	4000	5000	5850	2700	940	4100-4780	64kg
S0215	Aluminum track 70x55 mm							1,8kg/m



A. Steel front gate  
B. SLC trolley  
C. SLC handle



\* The platform is included in the number of steps  
\*\* Minimum required space from the wall (without rail spacers)  
Measures are in mm

D. Lateral sliding kit  
E. Rail and connector