



Description

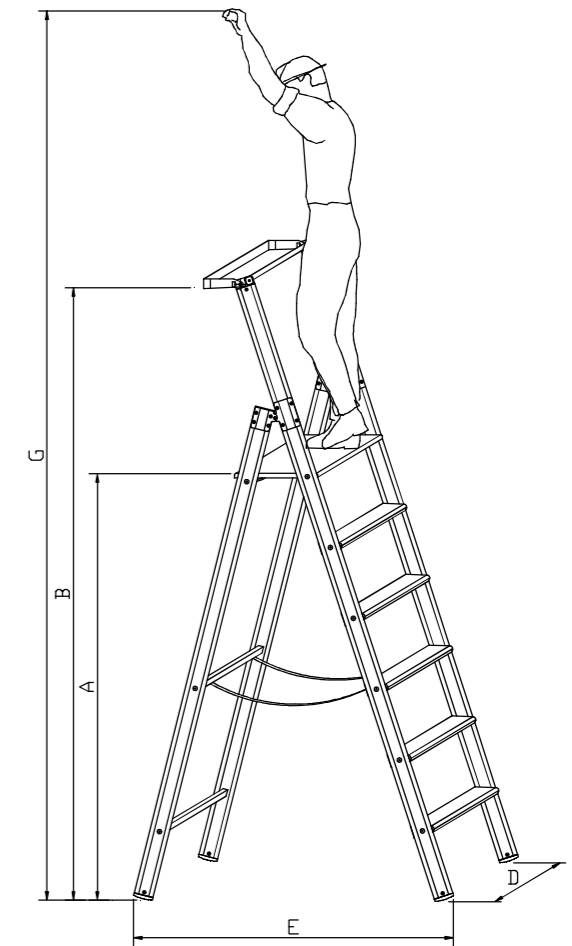
The ladder is in fiberglass and aluminum and it has a single climb ramp. Thanks to the properties of electrical insulation, this ladder ensures safety to operators working in the field of electrical systems. The ladder is equipped with a comfortable guard rail with height of 670 mm.

STEPS: they are mounted on nylon supports with rungs and anti-torsion groove and they are fixed onto the frames.

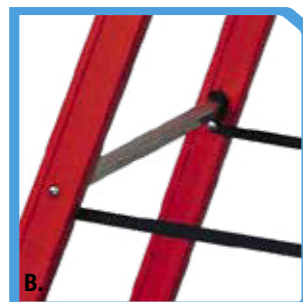
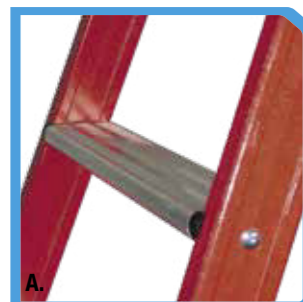
WELD FREE AND RIVETING FREE

Technical Data

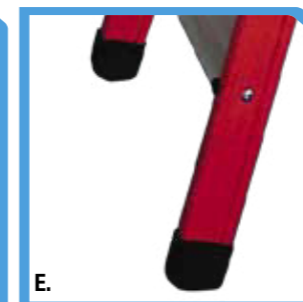
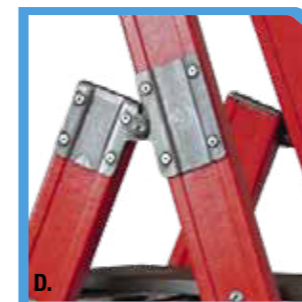
WEIGHT CAPACITY: 150 kg
(weight related to a person with tools)
PLATFORM: aluminum 270x260 mm
STEPS: aluminum 80x23 mm
FRAMES: glass fiber 65x30 mm
OBJECT HOLDER: nylon
HINGE JOINT: galvanized steel
TOP WIDTH: 360 mm
SAFETY STANDARD:
UNI EN 131-2



Code	Steps	A	B	C	D	E	F	G	Weight
SVSP/1-2	2	480	1100	1220	490	610	180	2250	7 kg
SVSP/1-3	3	720	1340	1470	520	780	180	2480	8 kg
SVSP/1-4	4	960	1580	1720	550	950	180	2710	9 kg
SVSP/1-5	5	1200	1820	1970	580	1120	180	2950	10,2 kg
SVSP/1-6	6	1440	2060	2220	610	1290	180	3190	12,5 kg
SVSP/1-7	7	1680	2300	2470	640	1460	180	3430	13,8 kg
SVSP/1-8	8	1920	2540	2970	670	1630	180	3670	16 kg
SVSP/1-9	9	2160	2780	3220	700	1800	180	3910	18,2 kg
SVSP/1-10	10	2400	3020	3470	730	1970	180	4150	20,4 kg



A. Anti-slip aluminum step
B. Anti-opening tape
C. Guard rail



* The platform is included in the number of steps
Measures are in mm

D. Anti-opening junctions
E. Anti-slip rubber caps