



This model can also be supplied with front trolley

## Description

The ladder runs on a track of aluminum through a trolley with joint. The trolley allows linear movements thanks to 12 ball bearings and it can be blocked by a hand wheel. It is built with stainless steel frame, anti-slip aluminum steps and platform and it is equipped with handrail. It can be applied on any furniture, wall or shelf.

**STEPS:** they are mounted on aluminum die-casted supports with rungs and anti-torsion groove and they are fixed onto the frames.

**WELD FREE AND RIVETING FREE**

## Technical Data

**WEIGHT CAPACITY:** 150 kg  
(weight related to a person with tools)

**FRAMES:** stainless steel  
(60x20 mm + 40x20 mm + 30x15 mm)

**PLATFORM:** anti-slip aluminum  
450x340 mm

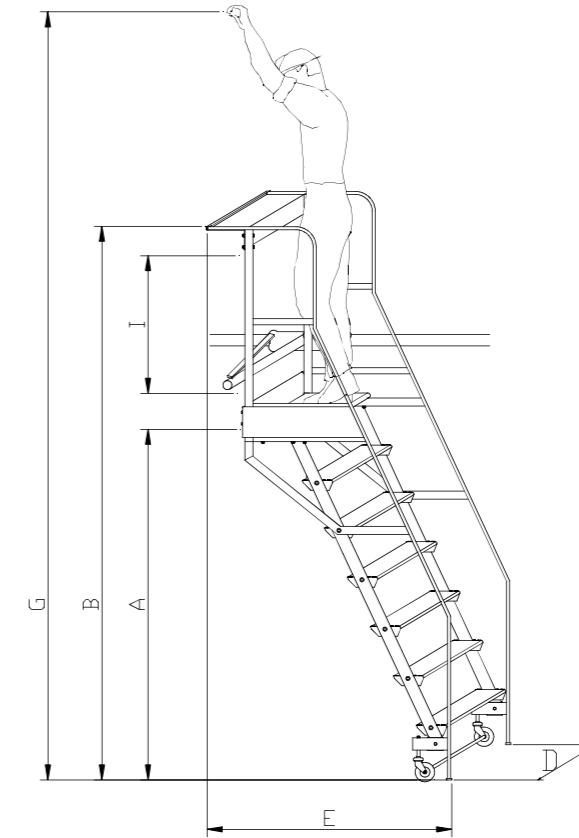
**WHEELS:** ø 100 mm with spring

**STEPS:** aluminum 150x23 mm

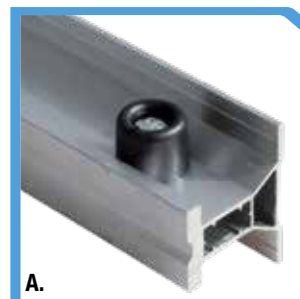
**TOP WIDTH:** 450 mm

**SAFETY STANDARD:**

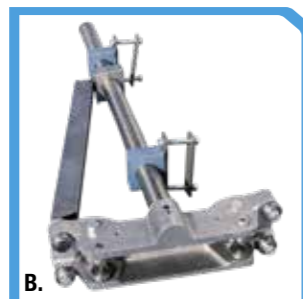
UNI EN 131-2



Code	Steps*	A	B	D**	E	G	I	Weight
S0204A	4	1000	2000	660	750	2850	1100-1780	23 kg
S0205A	5	1250	2250	680	900	3100	1350-2030	26 kg
S0206A	6	1500	2500	700	1050	3350	1600-2280	29 kg
S0207A	7	1750	2750	720	1200	3600	1850-2530	32 kg
S0208A	8	2000	3000	740	1350	3850	2100-2780	35 kg
S0209A	9	2250	3250	760	1500	4100	2350-3030	38 kg
S0210A	10	2500	3500	780	1650	4350	2600-3280	41 kg
S0211A	11	2750	3750	800	1800	4600	2850-3530	44 kg
S0212A	12	3000	4000	820	1950	4850	3100-3780	47 kg
S0213A	13	3250	4250	840	2100	5100	3350-4030	50 kg
S0215	Aluminum track 70x55 mm							1,8kg/m



A.

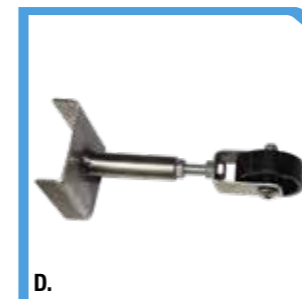


B.

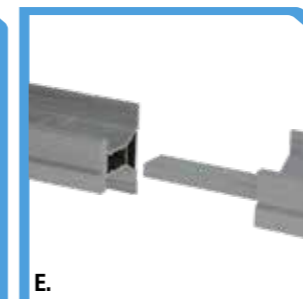


C.

- A. Stop rubber kit
- B. SL Trolley
- C. Lower sliding wheel



D.



E.

\* The platform is included in the number of steps  
\*\* Minimum required space from the wall (without rail spacers)

Measures are in mm

D. Lateral sliding kit

E. Rail and connector