



To optimize transport the ladder can be supplied disassembled



Description

The ladder is made of stainless steel. The platform and the steps are in anti slip aluminum. The ladder is provided with handrail.

It is particularly indicated for overcoming fixed obstacles or for controlling on board of installations of production processes.

On request there is the possibility to have plates fixed to the ground.

STEPS: they are mounted on aluminum die-casted supports with rungs and anti-torsion groove and they are fixed onto the frames.

WELD FREE AND RIVETING FREE

Technical Data

WEIGHT CAPACITY: 300 kg
(weight related to a person with tools)

FRAMES: stainless steel
(60x30 mm + 60x20 mm + 30x15 mm)

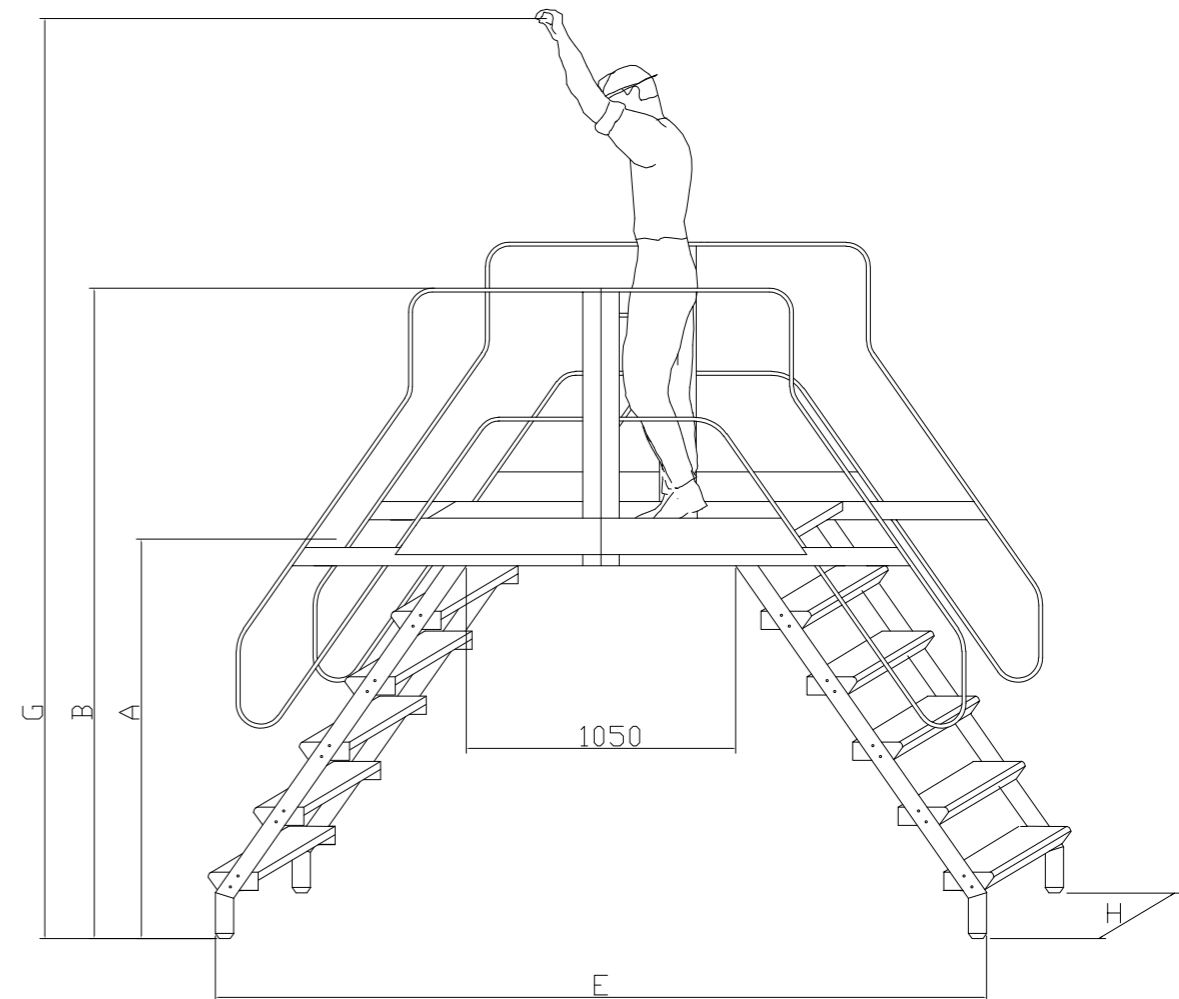
PLATFORM: anti-slip aluminum
860x1320 mm

STEPS: aluminum 800x200 mm

TOP WIDTH: 800 mm

SAFETY STANDARD:
D. Lgs. n° 81/2008

A. Step detail and platform



Code	Steps*	A	B	E	G	H	Weight
S1253A	3+3	750	1750	1970	2600	860	110 kg
S1254A	4+4	1000	2000	2320	2850	860	120 kg
S1255A	5+5	1250	2250	2680	3100	860	130 kg
S1256A	6+6	1500	2500	3030	3350	860	140 kg
S1257A	7+7	1750	2750	3390	3600	860	150 kg
S1258A	8+8	2000	3000	3740	3850	860	160 kg
S1259A	9+9	2250	3250	4090	4100	860	170 kg
S1260A	10+10	2500	3500	4440	4350	860	180 kg
S1261A	11+11	2750	3750	4790	4600	860	190 kg
S1262A	12+12	3000	4000	5140	4850	860	200 kg

* The platform is included in the number of the steps
Measures are in mm