



Description

The ladder is made with aluminum frames and aluminum anti-slip steps. It is available in 3 versions:

• **F11:** with pegs 35x24 mm

• **F11/P:** with steps 95x23 mm

• **F11/L:** with steps 150x23 mm

Moreover, there are three types of stainless steel handrail:

- Short handrail kit
- Handrail kit for landing
- Handrail kit for wall

On request, the ladder can be supplied with two hooks for fixing the ladder on any furniture, wall or shelf.

STEPS: they are mounted on aluminum die-casted supports with rungs and anti-torsion groove and they are fixed onto the frames.

WELD FREE AND RIVETING FREE

Technical Data

WEIGHT CAPACITY: 150 kg
(weight related to a person with tools)

STEPS:

• aluminum 95x23 mm in the version F11/P

• aluminum 150x23 mm in the version F11/L

• **PEGS:** anti-slip aluminum 35x24 in the version F11

FRAMES: anodized aluminum 65x30 mm

TOP WIDTH:

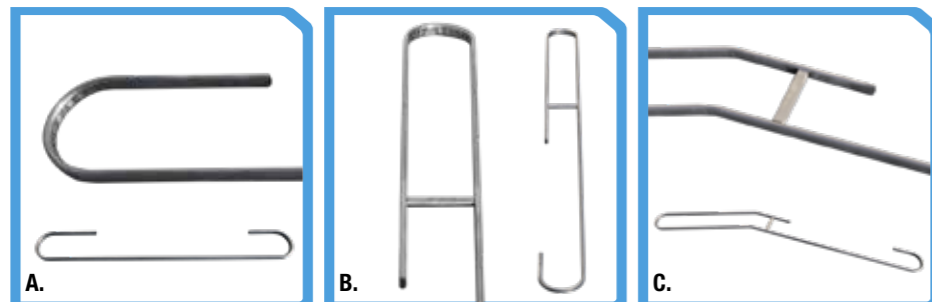
• With pegs = 500 mm

• With steps 95x23 = 500 mm

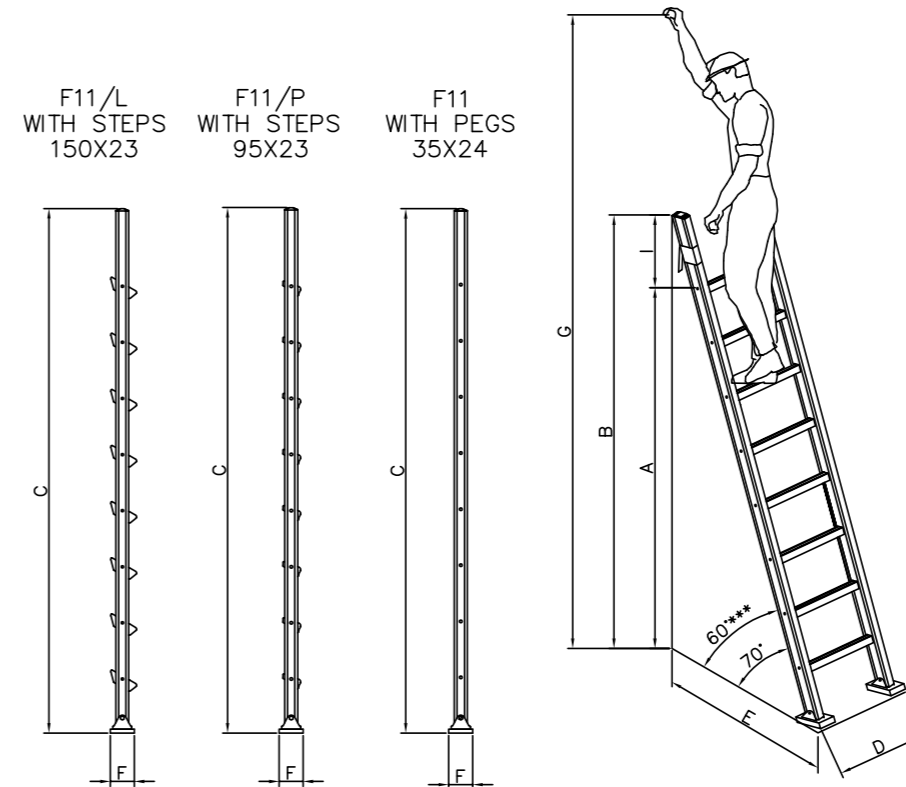
• With steps 150x23 = 510 mm

SAFETY STANDARD:

D. Lgs. n° 81/2008



A. Short handrail
B. Handrail for landing
C. Handrail for wall



Rail Fixing Heights Ladders F11

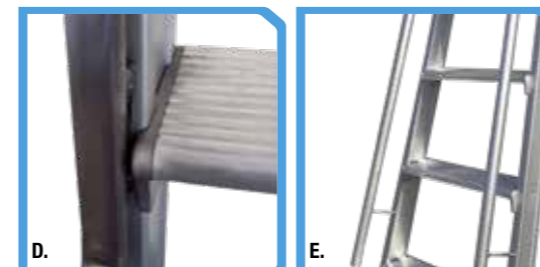
**F11 - PEGS 35X24
F11/P - STEPS 95X23
INCLINATION 20°**

S2103	S2103/P	870 - 1110
S2104	S2104/P	1120 - 1370
S2105	S2105/P	1380 - 1630
S2106	S2106/P	1640 - 1900
S2107	S2107/P	1910 - 2160
S2108	S2108/P	2170 - 2420
S2109	S2109/P	2430 - 2680
S2110	S2110/P	2670 - 2950
S2111	S2111/P	2960 - 3210
S2112	S2112/P	3220 - 3480
S2113	S2113/P	3490 - 3740
S2114	S2114/P	3750 - 4000
S2115	S2115/P	4010 - 4260

**F11 - STEPS 150X23
INCLINATION 30°**

S2103/L	800 - 1030
S2104/L	1040 - 1270
S2105/L	1280 - 1510
S2106/L	1520 - 1750
S2107/L	1760 - 2000
S2108/L	2010 - 2230
S2109/L	2240 - 2470
S2110/L	2480 - 2710
S2111/L	2720 - 2950
S2112/L	2960 - 3180

Code	A	B	C	D	E	F	G	Weight
S2103	820	760***	1270	1180***	1220	500* 560** 565***	380 550***	120 2140 2120*** 4,3 kg* 4,1 kg** 4,5 kg***
S2104	1080	1000***	1530	1420***	1610	500* 580** 585***	490 690***	120 2400 2360*** 5,1 kg* 5,2 kg** 6 kg***
S2105	1340	1240***	1790	1660***	1890	500* 600** 605***	590 830***	120 2660 2600*** 5,9 kg* 6,4 kg** 7,5 kg***
S2106	1600	1480***	2050	1900***	2170	500* 620** 625***	680 970***	120 2920 2840*** 6,7 kg* 7,6 kg** 9 kg***
S2107	1860	1720***	2310	2140***	2450	500* 640** 645***	780 1110***	120 3180 3080*** 7,5 kg* 8,8 kg** 10,5 kg***
S2108	2120	1960***	2570	2380***	2730	500* 660** 665***	880 1250***	120 3440 3220*** 8,3 kg* 10 kg** 12 kg***
S2109	2380	2200***	2830	2620***	3010	500* 680** 685***	980 1390***	120 3700 3560*** 9,1 kg* 11,2 kg** 13,5 kg***
S2110	2640	2450***	3090	2860***	3290	500* 700** 705***	1080 1530***	120 3960 3800*** 10 kg* 12,4 kg** 15 kg***
S2111	2910	2700***	3360	3100***	3570	500* 720** 725***	1170 1670***	120 4220 4040*** 10,8 kg* 13,6 kg** 16,5 kg***
S2112	3170	2940***	3620	3340***	3850	500* 740** 745***	1270 1810***	120 4490 4280*** 11,7 kg* 14,9 kg** 18 kg***
S2113	3430	/	3880	/	4130	500* 760** /	1360 /	120 4750 / 12,6 kg* 16,2 kg** /
S2114	3700	/	4140	/	4410	500* 780** /	1460 /	120 5010 / 13,4 kg* 17,5 kg** /
S2115	3960	/	4410	/	4690	500* 800** /	1560 /	120 5280 / 14,3 kg* 18,8 kg** /



* Measures concerning only F11 with pegs 35x24
** Measures concerning only F11/P with steps 95x23
*** Measures concerning only F11/L with steps 150x23 - Measures are in mm

D. Fixing step
E. Short handrail in aluminum