



Description

The ladder runs on a track of aluminum through a trolley with joint.
 The trolley also allows you to adjust the inclination of the ladder as needed and according to the available spaces.
 The ladder can slide on a linear or a curvilinear route.
 Thanks to the nylon wheels, the movement results homogeneous, continuous and silent even in the curves.
 The ladder can be moved only in resting position.
 The steps and the aluminum attacks make it very solid and durable.
 It can be applied on any furniture, wall or shelf.

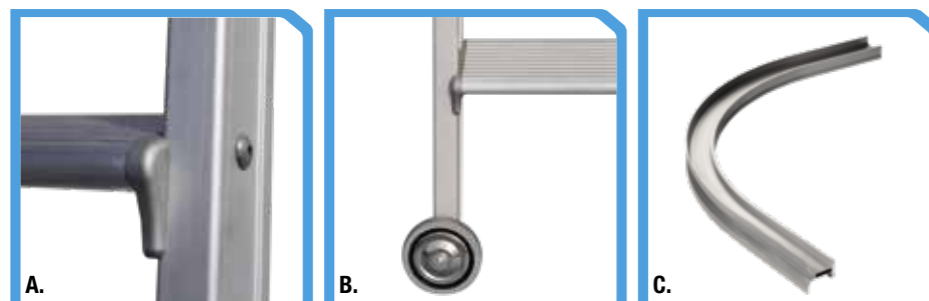
It is available in two versions:
 • **F12** with rungs 35x24 mm
 • **F12/P** with steps 95x23 mm

STEPS: WELD FREE AND RIVETING FREE

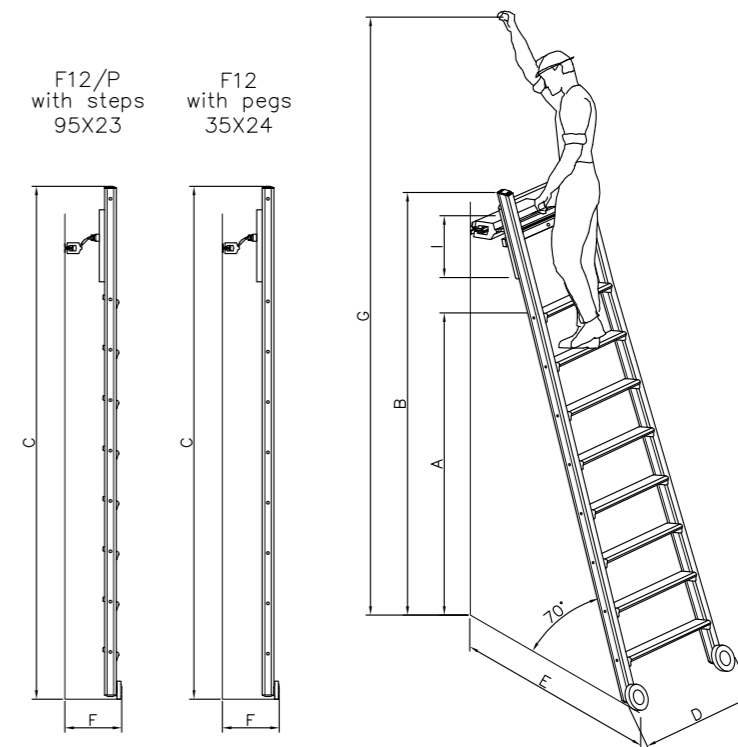
Technical Data

WEIGHT CAPACITY: 150 kg (weight related to a person with tools)
FRAMES: aluminum 65x30 mm
WHEELS: rubber anti trace ø 100 mm
STEPS: aluminum 95x23 mm in the version F12/P
RUNGS: aluminum 35x24 mm in the version F12
TOP WIDTH:
 • Version F12 = 440 mm
 • Version F12/P = 440 mm
SAFETY STANDARD:
 D. Lgs. n° 81/2008

This model can also be supplied with hooks

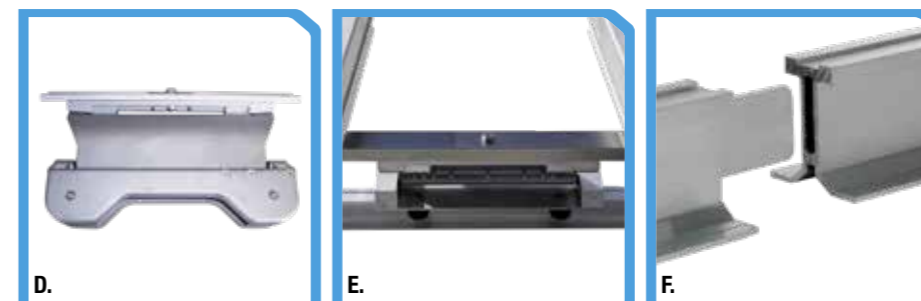


A. Step with joint
 B. Foot with wheel
 C. Curvilinear route



Code	A	B	C	D	E	F	G	I	Weight
S2205	1320	1900	2020	510* 610**	790	320	2900	1450 - 1770	8kg* 8,5kg**
S2206	1580	2160	2300	510* 630**	870	320	3160	1730 - 2050	8,8kg* 9kg**
S2207	1840	2420	2580	510* 650**	950	320	3420	2010 - 2330	9,6kg* 10,2kg**
S2208	2100	2680	2860	510* 670**	1030	320	3680	2290 - 2610	10,4kg* 11,5kg**
S2209	2360	2940	3140	510* 690**	1110	320	3940	2570 - 2890	11,2kg* 12,7kg**
S2210	2620	3210	3420	510* 710**	1190	320	4210	2850 - 3170	12kg* 13,9kg**
S2211	2890	3470	3700	510* 730**	1270	320	4470	3130 - 3450	12,8kg* 15,1kg**
S2212	3150	3730	3980	510* 750**	1350	320	4730	3410 - 3730	13,6kg* 16,4kg**
S2213	3410	4000	4260	510* 770**	1430	320	5000	3690 - 4010	14,4kg* 17,7kg**
S2214	3670	4260	4540	510* 790**	1510	320	5260	3970 - 4290	15,2kg* 19kg**
S2215	3940	4520	4820	510* 810**	1590	320	5520	4250 - 4570	16kg* 20,3kg**
S0115	Aluminum rail 45x45 mm								0,96 kg/m

* Dimensions refer to F12 with rungs 35x24 - ** Dimensions refer to F12/P with steps 95x23 - Measures are in mm



D. Trolley with joint for curvilinear routes
 E. Trolley with joint for linear routes
 F. Rail and connector