



Description

The ladder is made with aluminum frames and anti-slip aluminum steps. It can be applied on any furniture, wall or shelf.

The ladder is equipped with a convenient guard rail.

It is light, practical and durable and it offers the possibility to adjust the height of the steel hooks.

STEPS: they are mounted on aluminum die-casted supports with rungs and anti-torsion groove and they are fixed onto the frames.

WELD FREE AND RIVETING FREE

Technical Data

WEIGHT CAPACITY: 150 kg
(weight related to a person with tools)

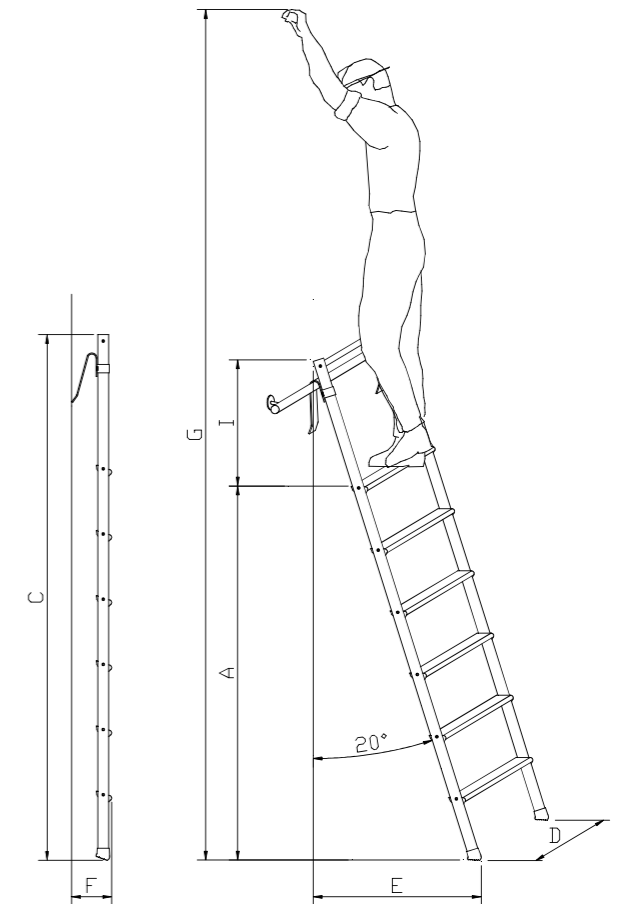
STEPS: aluminum 95x23 mm

FRAMES: anodized aluminum
42x22 mm

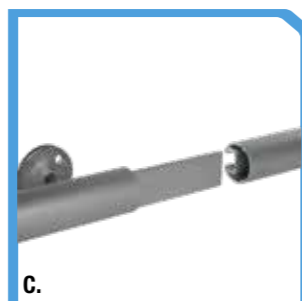
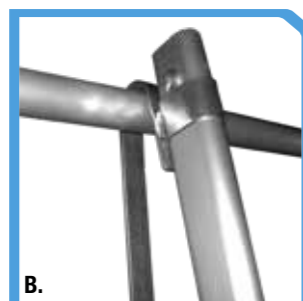
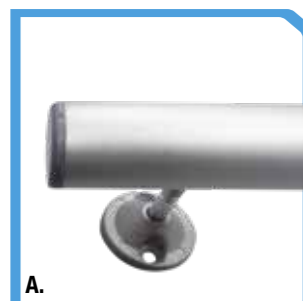
TOP WIDTH: 340 mm

SAFETY STANDARD:

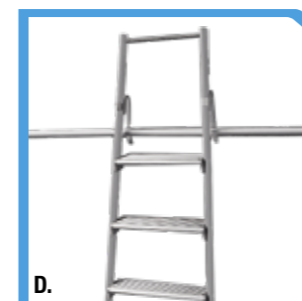
D. Lgs. n° 81/2008



Code	Steps	A	C	D	E	F	G	I	Weight
S0705P	5	1220	1750	490	670	170	3070	1410-1640	4 kg
S0706P	6	1450	2000	510	760	170	3300	1640-1870	5 kg
S0707P	7	1680	2250	530	850	170	3530	1870-2100	6 kg
S0708P	8	1910	2500	550	940	170	3760	2100-2330	7 kg
S0709P	9	2140	2750	570	1030	170	3990	2330-2560	8 kg
S0710P	10	2370	3000	590	1120	170	4220	2560-2790	9 kg
S0711P	11	2600	3250	610	1210	170	4450	2790-3020	10 kg
S0712P	12	2830	3500	630	1300	170	4680	3020-3250	11 kg
S0515	Anodized aluminum rail ø 30 mm								0,60 kg/m



A. Spacer and limit stop
B. Adjustable hooks
C. Joint for rails connection



Measures are in mm

D. Ladder in resting position