



Description

The ladder is made with aluminum frames and aluminum anti-slip steps. On request, the ladder can be supplied with two hooks to fix the ladder on any furniture, wall or shelf. The ladder is equipped with a guard rail for safety of the operator. It is light, practical, durable and it is suitable for intensive use.

STEPS: they are mounted on aluminum die-casted supports with rungs and anti-torsion groove and they are fixed onto the frames.

WELD FREE AND RIVETING FREE

Technical Data

WEIGHT CAPACITY: 150 kg
(weight related to a person with tools)

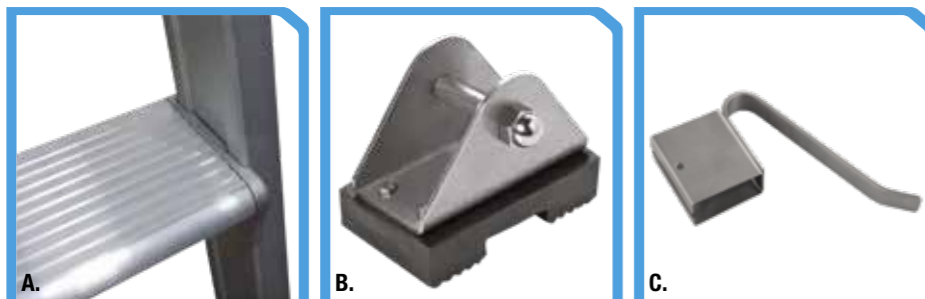
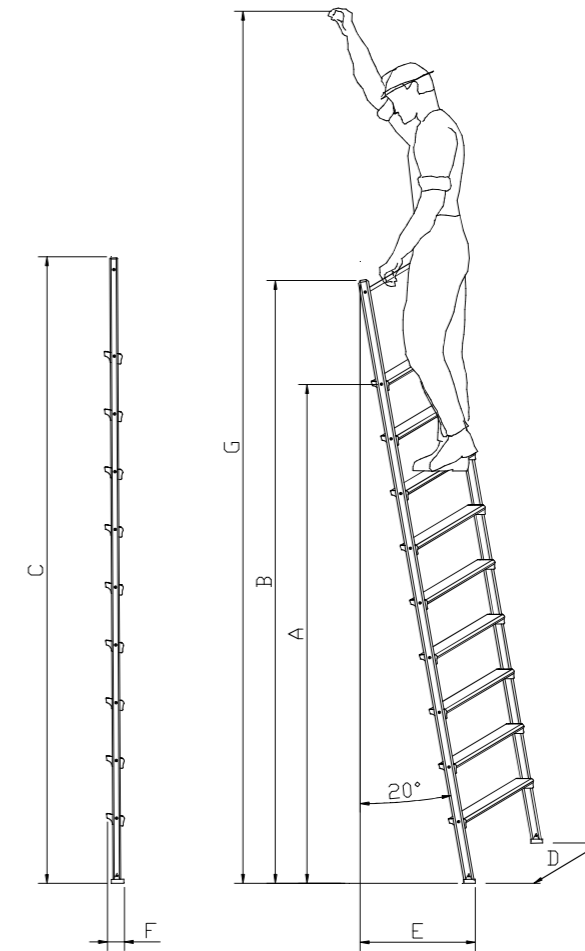
STEPS: aluminum 95x23 mm

FRAMES: anodized aluminum
65x30 mm

TOP WIDTH: 350 mm

SAFETY STANDARD:

UNI EN 131-2



A. Anti-torsion supports
B. Foot detail
C. Iron hooks

| Code | Steps | A | B | C | D | E | F | G | Weight |
|--------|--------------------------------|------|------|------|-----|------|-----|------|----------|
| S0809P | 9 | 2430 | 2870 | 3030 | 600 | 1160 | 120 | 4280 | 11,2 kg |
| S0811P | 11 | 2970 | 3360 | 3530 | 640 | 1360 | 120 | 4820 | 13,2 kg |
| S0812P | 12 | 3240 | 3850 | 4030 | 660 | 1490 | 120 | 5090 | 14,8 kg |
| S0814P | 14 | 3750 | 4300 | 4530 | 700 | 1670 | 120 | 5600 | 17,2 kg |
| S0816P | 16 | 4280 | 4770 | 5030 | 740 | 1860 | 120 | 6130 | 19,4 kg |
| S0818P | 18 | 4860 | 5280 | 5530 | 780 | 2000 | 120 | 6710 | 21,8 kg |
| S0819P | 19 | 5100 | 5720 | 6030 | 800 | 2180 | 120 | 6950 | 23,4 kg |
| S0515 | Anodized aluminum rail ø 30 mm | | | | | | | | 0,60kg/m |

Measures are in mm