



Description

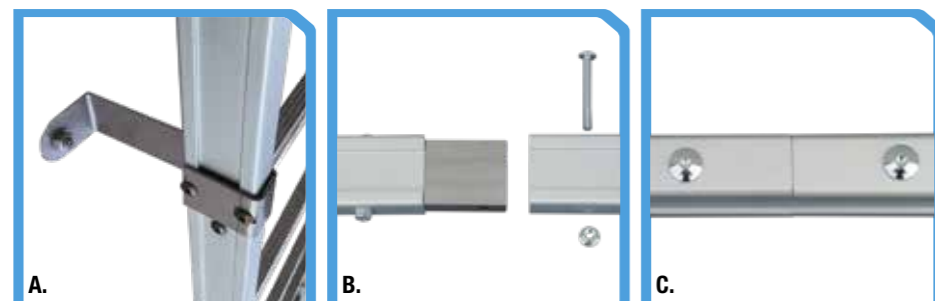
The ladder can be supplied in single or double trunk for both indoor and outdoor use and it offers a total safety for the operator as it is fully protected by a circular structure composed by aluminum rings. It has anodized aluminum frames and anti-slip steps. It is ideal for acces to roofs, terraces, platforms or to carry out inspections to the summit of silos, tanks, pipelines, machinery, etc. It is constructed on request for any height with varius optional available.

STEPS: WELD FREE AND RIVETING FREE

Technical Data

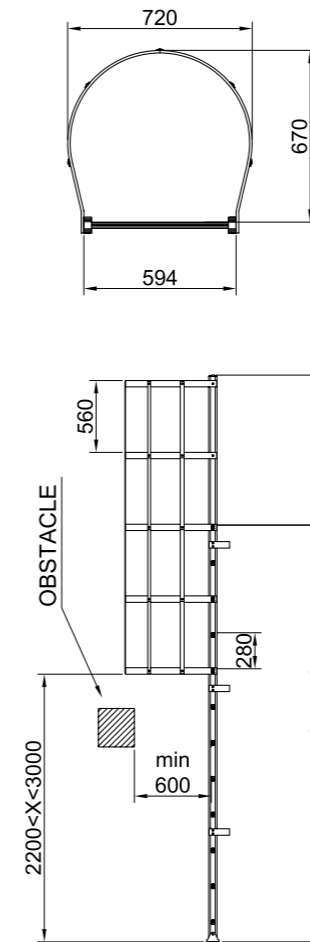
WEIGHT CAPACITY: 150 kg (weight related to a person with tools)
STEPS: aluminum 35x24 mm
FRAMES: anodized aluminum 65x30 mm
SAFETY STANDARD:
 D. Lgs. n° 81/2008 (Italian directives)
 ISO UNI EN 14122-4 (European directives)

To optimize transport the rings can be supplied disassembled



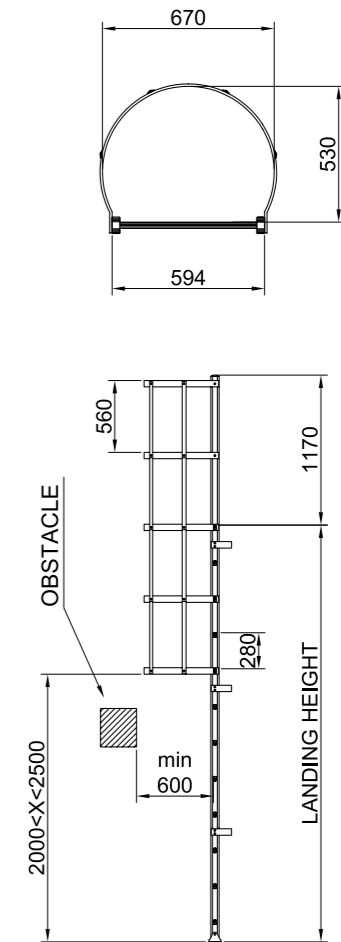
A. 150 mm bracket detail
 B. Graft
 C. Fixing after grafting

Comply with European directives



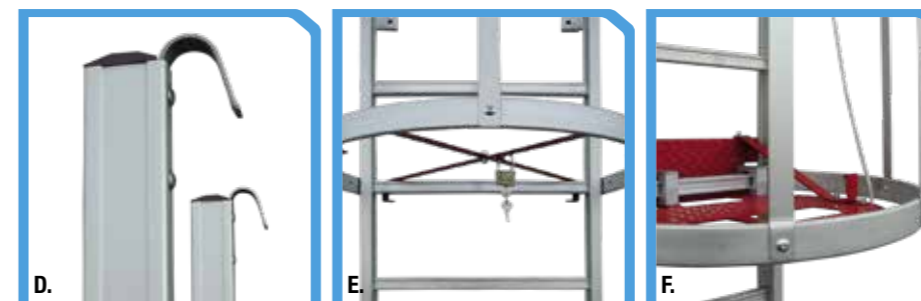
Code	Description
549000000216	Bottom section ISO UNI EN 14122-4
549000000219	Bottom element with hooks
549000000217	Central element ISO UNI EN 14122-4
549000000218	Top element ISO UNI EN 14122-4

Comply with Italian directives



Code	Description
549000000220	Bottom section D.Lgs. n° 81/2008
549000000219	Bottom element with hooks
549000000223	Central element D.Lgs. n° 81/2008
549000000222	Top element D.Lgs. n° 81/2008

Measures are in mm



D. Bottom element with hooks
 E. Closing climb entry
 F. Platform