



Resealable ladder

Description

The ladder is made with aluminum frame, aluminum anti-slip steps and aluminum platform.

The ladder is equipped with handrail, rear stabilizer base which prevents lateral tipping and rear wheels that make it easier to move.

The inclination of the step section at 60° and the 150 mm steps make the climb more comfortable.

It can be easily closed in order to reduce its dimensions for storage and transport.

STEPS: they are mounted on aluminum die-casted supports with rungs and anti-torsion groove and they are fixed onto the frames.

WELD FREE AND RIVETING FREE

Technical Data

WEIGHT CAPACITY: 150 kg
(weight related to a person with tools)

FRAMES: aluminum 65x30 mm

PLATFORM: anti-slip aluminum
490x490 mm

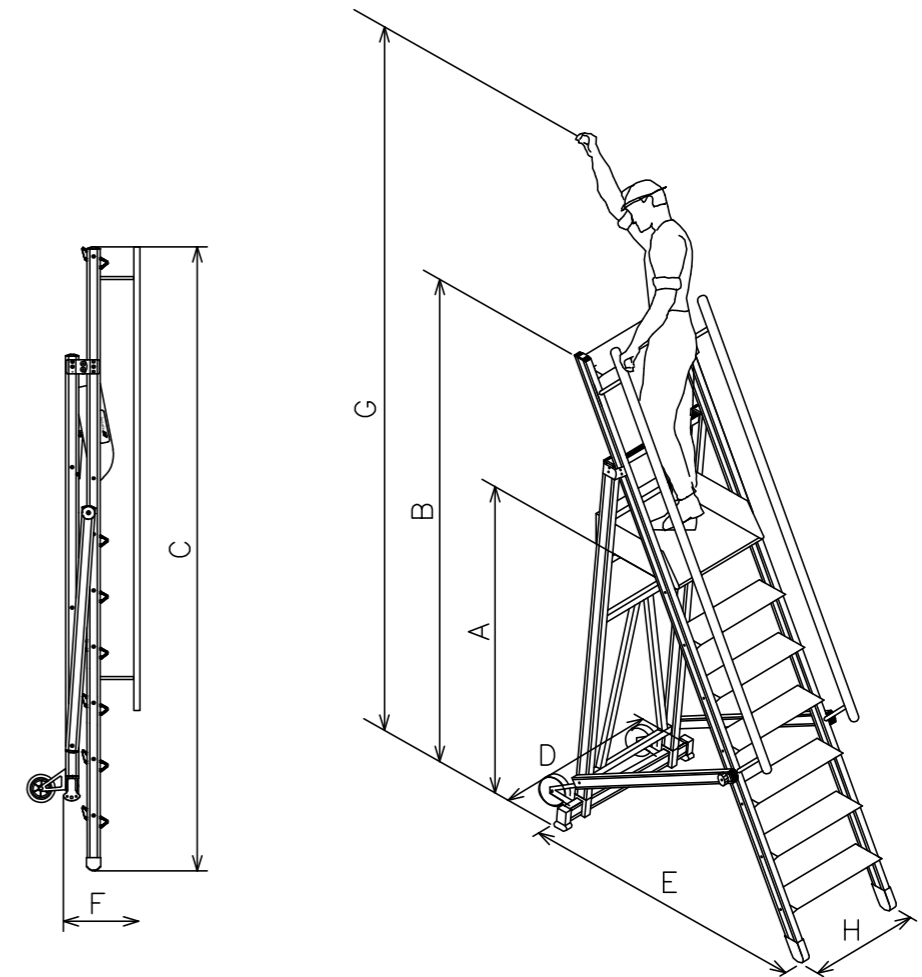
WHEELS: rear wheels ø 140 mm

STEPS: aluminum 150x23 mm

TOP WIDTH: 570 mm

SAFETY STANDARD:

D. Lgs. n° 81/2008

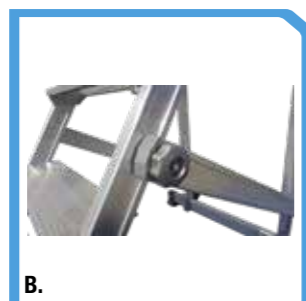


Code	Steps*	A	B	C	D	E	F	G	H	Weight
S2404	4	1000	2000	2270	900	1290	380	2850	580	23 kg
S2405	5	1250	2250	2550	900	1450	380	3100	580	26 kg
S2406	6	1500	2500	2830	900	1610	380	3350	580	29 kg
S2407	7	1750	2750	3110	900	1770	380	3600	580	32 kg
S2408	8	2000	3000	3390	900	1930	380	3850	580	35 kg
S2409	9	2250	3250	3670	900	2210	380	4100	580	38 kg
S2410	10	2500	3500	3950	900	2490	380	4350	580	41 kg

* The platform is included in the number of the steps - Measures are in mm



A.

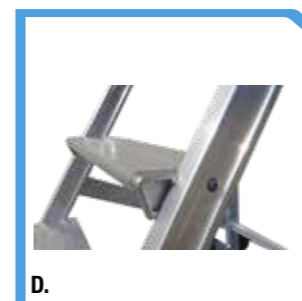


B.



C.

A. Ladder in resting position
B. Handwheel for closure of the ladder
C. Platform



D.

D. Anti-slip steps