



To optimize transport the ladder can be supplied disassembled

## Description

The ladder is made of stainless steel and it is equipped with handrail. The platform and the steps are in anti-slip aluminum and it has two rear fixed wheels.

To comply with European norms the ladder must be equipped with lateral stabilizers which prevent the overturning of the ladder during use. In all versions it is possible to apply, as optional, a foot brake device with swivel wheels in the front of ladder.

**WARNING:** with this version the user must activate the brake pedal before using the ladder.

**STEPS:** they are mounted on aluminum die-casted supports with rungs and anti-torsion groove and they are fixed onto the frames.

**WELD FREE AND RIVETING FREE**

## Technical Data

**WEIGHT CAPACITY:** 300 kg  
(weight related to a person with tools)

**FRAMES:** stainless steel tube  
(60x30 mm + 60x20 mm + 30x15 mm)

**PLATFORM:** anti-slip aluminum  
860x660 mm

**WHEELS:** rear wheels ø 200 mm

**STEPS:** aluminum 800x200 mm

**TOP WIDTH:** 800 mm

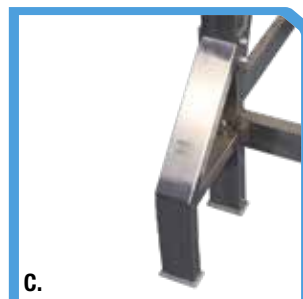
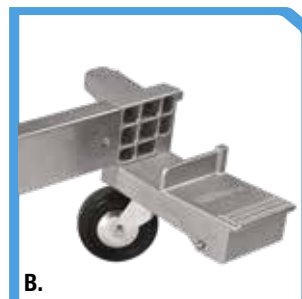
**SAFETY STANDARD:**

With lateral stabilizers

UNI EN 131-2, UNI EN 131-7;

Without lateral stabilizers

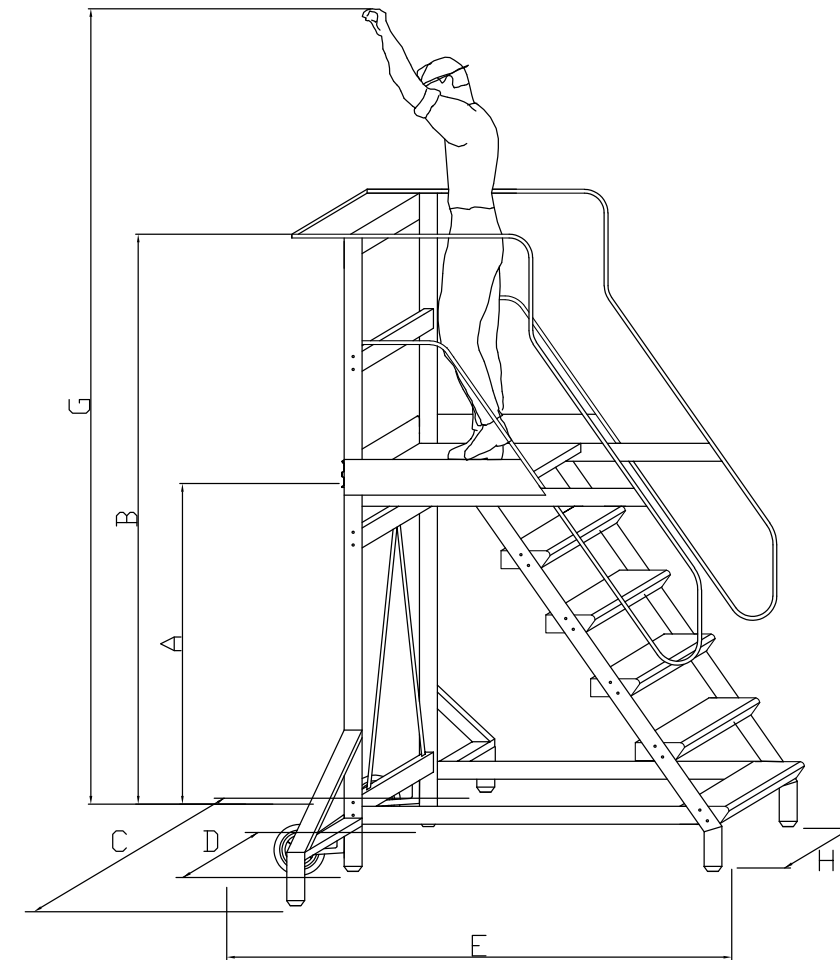
D. Lgs. n° 81/2008



A. Objects holder and platform

B. Braking pedal device

C. Lateral stabilizer



Code	Steps*	A	B	C	D	E	G	H	Weight**
S1203A	3	750	1750	/	920	1100	2600	860	68 kg /
S1204A	4	1000	2000	/	920	1300	2850	860	74 kg /
S1205A	5	1250	2250	1330	920	1500	3100	860	80 kg 85 kg***
S1206A	6	1500	2500	1330	920	1700	3350	860	86 kg 91 kg***
S1207A	7	1750	2750	1470	920	1900	3600	860	93 kg 99 kg***
S1208A	8	2000	3000	1470	920	2100	3850	860	98 kg 104 kg***
S1209A	9	2250	3250	1610	920	2300	4100	860	104 kg 111 kg***
S1210A	10	2500	3500	1610	920	2500	4350	860	110 kg 117 kg***
S1211A	11	2750	3750	2180	920	2700	4600	860	116 kg 124 kg***
S1212A	12	3000	4000	2180	920	2900	4850	860	122 kg 130 kg***

\* The platform is included in the number of the steps - \*\* The weight includes also the braking device (5 kg)

\*\*\* Ladder weight with stabilizer - Measures are in mm