



Description

The ladder has a single climb ramp and it is very solid. It has anodized aluminum frames and anti-slip aluminum steps. It is particularly suitable for professional use, it is practical and durable and it provides to operator an excellent comfort. The ladder has a comfortable guard rail with height of 650 mm.

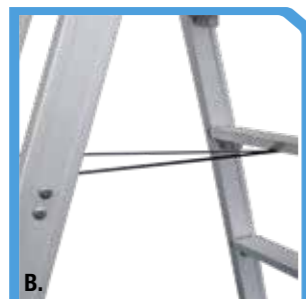
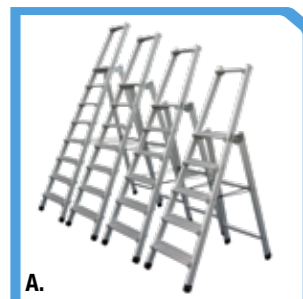
STEPS: they are mounted on aluminum die-casted supports with rungs and anti-torsion groove and they are fixed onto the frames.

WELD FREE AND RIVETING FREE

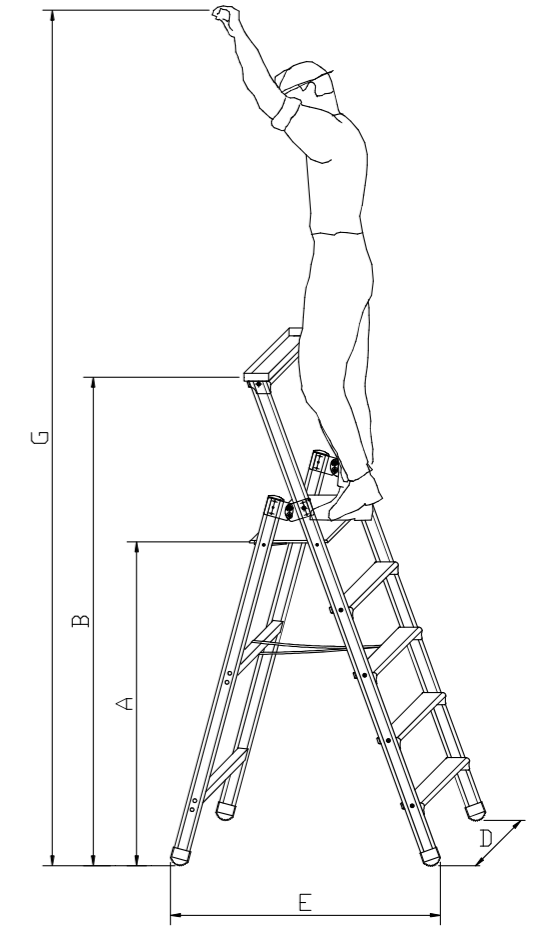
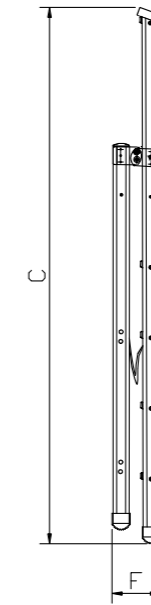
Technical Data

WEIGHT CAPACITY: 150 kg
(weight related to a person with tools)
PLATFORM: anti-slip aluminum 270x260 mm
STEPS: aluminum 95x23 mm
FRAMES: aluminum 65x30 mm
OBJECT HOLDER: in nylon
HINGE JOINT: galvanized steel
TOP WIDTH: 330 mm
SAFETY
UNI EN 131-2

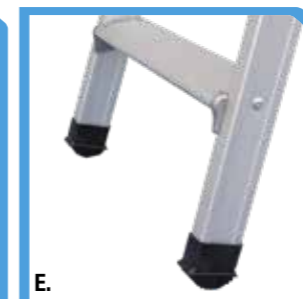
This model can also be supplied with handrail.



A. Different heights
B. Anti-opening tape
C. Guard rail detail



Code	Steps*	A	B	C	D	E	F	G	Weight
S1302	2	510	1210	1260	470	630	180	2200	6,8 kg
S1303	3	780	1470	1540	500	790	180	2500	8,4 kg
S1304	4	1050	1730	1820	530	950	180	2800	10 kg
S1305	5	1320	1990	2100	560	1110	180	3100	11,6 kg
S1306	6	1590	2250	2380	590	1270	180	3440	13,2 kg
S1307	7	1860	2510	2660	620	1450	180	3710	14,8 kg
S1308	8	2110	2770	2940	650	1650	180	3960	16,4 kg
S1309	9	2360	3030	3220	680	1850	180	4210	18,2 kg
S1310	10	2640	3300	3500	710	2010	180	4490	20 kg



* The platform is included in the number of steps
Measures are in mm

D. Anti-opening hinge joint
E. Anti-slip rubber caps